


## 473nm SM Pigtail Coaxial Laser Diode

### 468nm-473nm-478nm Fiber coupled LD with Single mode fiber

WSLP-473-004m-4-PD

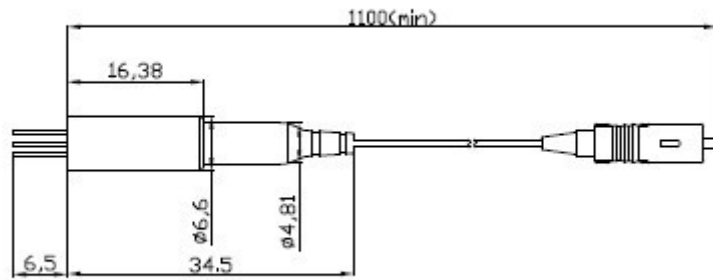
Wavespectrum laser inc.

[www.wavespectrum-laser.com](http://www.wavespectrum-laser.com)

473nm Pigtailed Diode Laser		4mW/SM Fiber		Wavespectrum Laser, Inc	
PARAMETER	SYMBOL	VALUE	UNIT		
Reverse Voltage	$V_r$	5.0	V		
Operating Temperature	$T_{op}$	0 ~ +60	°C		
Storage Temperature	$T_{stg}$	-35 ~ +70	°C		
Lead soldering temperature (10 sec.)	$T_{is}$	260	°C		
<b>Features:</b> <ul style="list-style-type: none"> <li>● 473nm</li> <li>● UV 4um SM Fiber</li> <li>● Coaxial package</li> <li>● Built-in PD</li> </ul>					
<b>Applications:</b> <ul style="list-style-type: none"> <li>● Medical laser treatment</li> <li>● Printing</li> </ul>					
<b>Specifications</b>		<b>WSLP-473-004m-4-PD</b>			
	Min	Type	Max		
Center Wavelength@25°C	468nm	473nm	478nm		
Output Power	----	4mW	6mW		
Fiber Type	UV single mode Fiber				
Fiber Core	3~4um				
Slope Efficiency	0.2mW/mA	0.45mW/mA	0.8mW/mA		
Monitor Current	0.1mA	0.35mA	0.8mA		
PD Reverse Voltage	----	20V	----		
Fiber Connector	FC/ST/SMA905				
Fiber Length	----	80cm	100cm		
Threshold Current (Typ.)	20mA	50mA	80mA		
Operating Current (Typ.)	50mA	100mA	150mA		
Operating Voltage	4.0V	5.5V	7.0V		
Package Style	Coaxial				

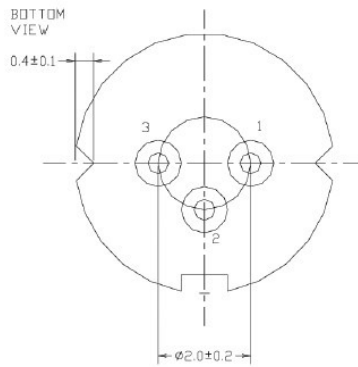


### Coaxial Package View



单位: mm

### PIN Bottom View:



<b>1</b>	<b>LD(+)</b>
<b>2</b>	<b>LD(-)&amp;PD(-)</b>
<b>3</b>	<b>PD(+)</b>

Electrically shorten LD module and store in non-extreme conditions.

Suggest using the constant current power supply.



Please contact us:

Website: [www.wavespectrum-laser.com](http://www.wavespectrum-laser.com) (for more detailed information)

Email: [info@wavespectrum-laser.com](mailto:info@wavespectrum-laser.com) (for inquiry about this product)

