
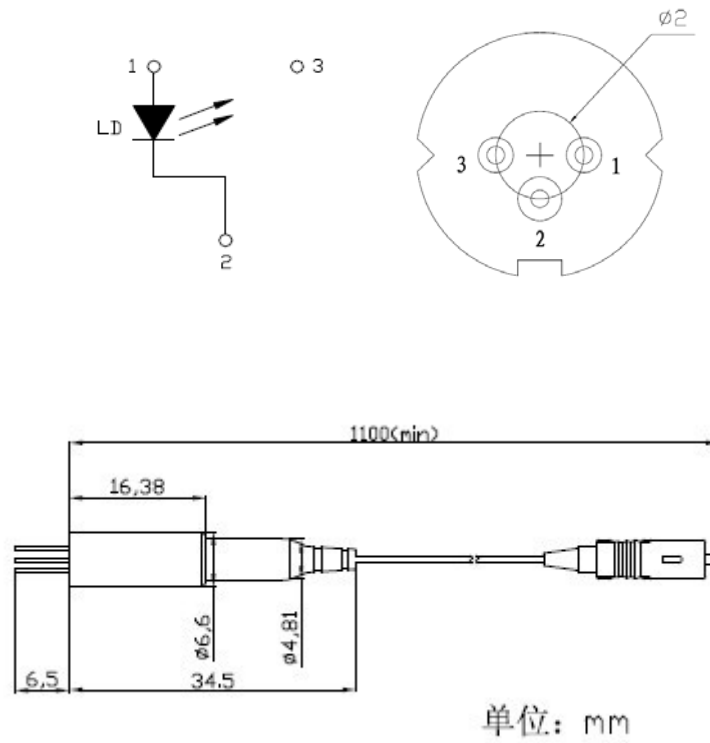


650nm Pigtailed Diode Laser		40mW/PM Fiber		Wavespectrum Laser, Inc	
PARAMETER	SYMBOL	VALUE	UNIT		
Reverse Voltage	$V_r$	2.0	V		
Operating Temperature	$T_{op}$	-10 ~ +50	°C		
Storage Temperature	$T_{stg}$	-40 ~ +85	°C		
Lead soldering temperature (10 sec.)	$T_{is}$	260	°C		
<b>Features:</b> <ul style="list-style-type: none"> <li>● 650nm</li> <li>● PM Fiber</li> <li>● Coaxial package</li> </ul>					
<b>Applications:</b> <ul style="list-style-type: none"> <li>● Medical laser treatment</li> <li>● Printing</li> </ul>					
<b>Specifications</b>	<b>WSLP-650-040m-PM</b>				
	Min	Type	Max		
Center Wavelength@25°C	654nm	658nm	662nm		
Spectral Width (FWHM)	----	2.0nm	----		
Output Power	----	40mw	----		
Fiber Core	PM Fiber				
Slope Efficiency	----	0.95mW/mA	----		
Monitor Current	----	----	----		
PD Reverse Voltage	----	----	----		
Fiber Connector	FC/ST/SMA905				
Fiber Length	----	80cm	100cm		
Threshold Current (Typ.)	----	70mA	90mA		
Operating Current (Typ.)	----	230mA	----		
Operating Voltage	----	2.4V	3.0V		
Package Style	Coaxial				



### Coaxial Package View



Electrically shorten LD module and store in non-extreme conditions.  
 Suggest using the constant current power supply.

