

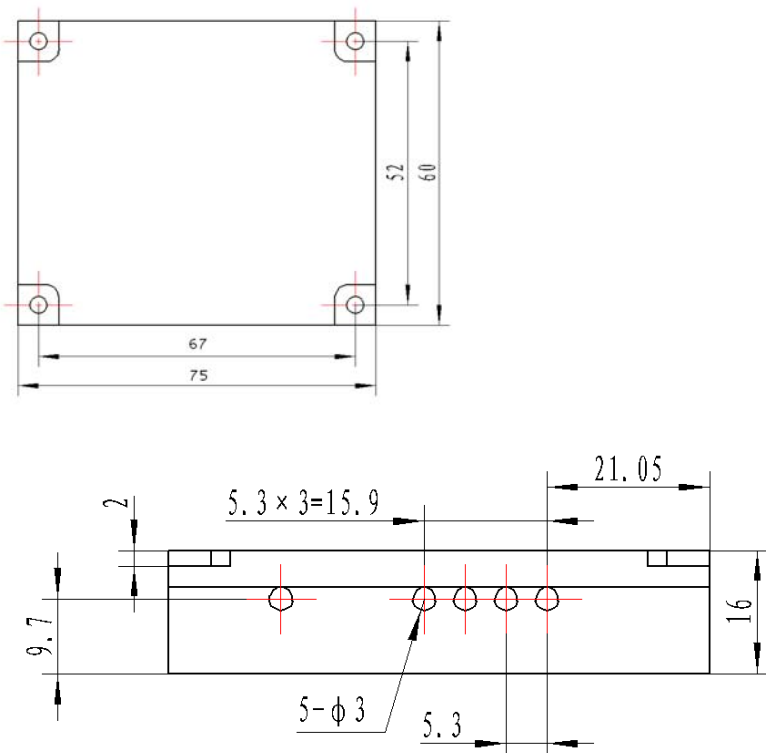
1x8 Mini Size Optical Switch

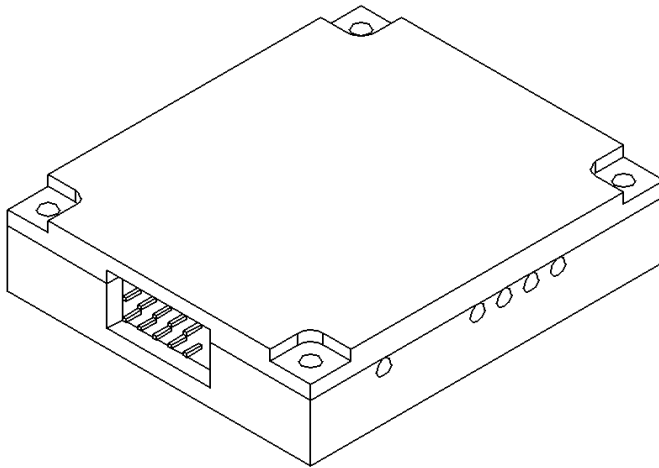
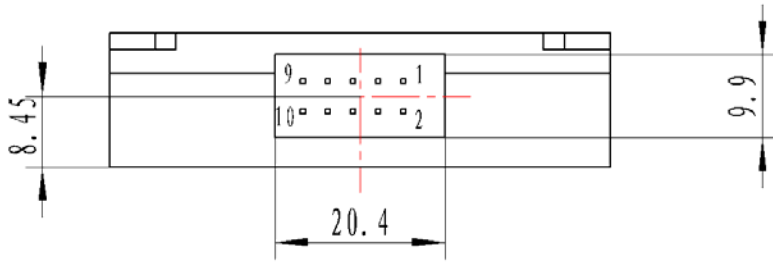
Features	
Based on Free space designed Low IL, Low PDL, Fast Switch speed	
Application	
OXC, OLP, ROADM Wavelength switch of testing system Channel switch of optic sensor system	

Specifications

Parameter	Value
Port Type	1x8
Wavelength (nm)	1310,1550
Insertion Loss (dB)	≤1.5
PDL (dB)	≤0.15
Repeatability (dB)	≤±0.05
Cross Talk (dB)	≥60
Switch Speed (ms)	<10
Return Loss (dB)	50
Operating Voltage (V)	5
Switch Current (mA)	120
Power handling (mW)	500
Durability (cycles)	>10 ⁷
Operating Temperature (°C)	-5~+65
Storage Temperature (°C)	-40 ~ 85
Fiber Type	SMF-28e
Dimension (LxMxH) (mm)	75x60x16

Package Dimension





Electric Pins Assignments

Pin	Signal Name	Signal Type	Description
1	In	D0	D3~D0: Port selection pins.D3 is MSB, D0 is LSB.
2	In	D1	
3	In	D2	
4	In	D3	
5	In	/RESET	Low=reset, High=data available.
6	Out	/READY	Low=ready, High=busy.
7	Out	ERROR	Low=normal, High=error.
8	Power in	GND	Power ground
9	Power in	+5V	power supply, DC +5V

10	NC	—	—
----	----	---	---

Switch control

Input Signal(1)					Active Fiber	Output signal
/Reset	D3	D2	D1	D0		Error
0	x(2)	x	x	x	Reset status(3)	0
1	0	0	0	0	Fiber 1	
	0	0	0	1	Fiber 2	
	0	0	1	0	Fiber 3	
	0	0	1	1	Fiber 4	
	0	1	0	0	Fiber 5	
	0	1	0	1	Fiber 6	
	0	1	1	0	Fiber 7	
	0	1	1	1	Fiber 8	
1	x	x	x	Fiber hold(4)	1	

Ordering Information

OSW	Type	Wavelength	Mode	Pigtail Type	Fiber Type	Length	Connector
	1x8	15=1550 13=1310 1315=1310/1550	L=Latching	250=250um bare fiber 900=900um loose tube 3000=3mm loose tube	1=SMF-28e	1= 1m	NE=None FA=FC/APC FC=FC/UPC SA=SC/APC SC=SC/UPC LC=LC/UPC XX=Other