

**Datasheet: Necsel™ Green NovaLum VHP Laser**

These specifications are for the Necsel green NovaLum VHP package. The centroid of the wavelength spectrum will be within the indicated wavelength range.



Model #	Symbol	Min. (nm)	Typical (nm)	Max. (nm)
Green-VHP-52x	$\lambda$	520	525	528

**Operating Wavelengths**

Laser Parameter	Symbol	Min.	Typical	Max.	Unit
Operating Power (CW)	$P_{op}$	-	9	-	W
Module Operating Temperature [non-condensing atmosphere]	$T_{Thermistor}$	-	35	-	°C
Center Wavelength [at 25°C and $P_{op}$ ]	$\lambda_m$	520	525	528	nm
Wavelength Temperature Coefficient	-	-	0.1	-	nm/°C
Threshold Current	$I_{th}$	-	300	-	mA
Slope Efficiency	$\eta$	-	6	-	W/A
Laser Power Conversion Efficiency	PCE	-	10	-	%

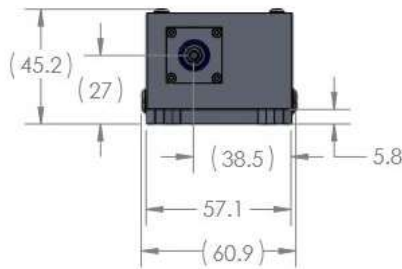
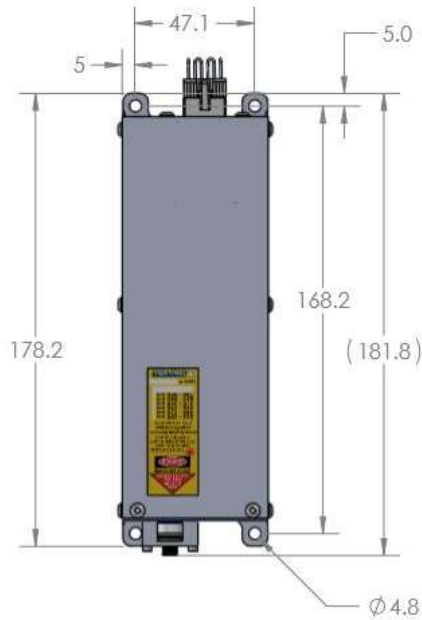
**Power Supply Requirements**

Operating Voltage (4 strings in series)	$V_{op}$	-	54	72	V
Allowable Reverse Current	$I_r$	-	-	85	mA
Operating Current	$I_{op}$	-	1.7	1.8	A

**Fiber Specifications**

Fiber Core Diameter (Centration $\leq 10 \mu\text{m}$ )		0.400		mm
Connector Type (Nose length 0.3850 - 0.3863 in., 9.779 – 9.812 mm)		SMA-905		
Numerical Aperture		0.22		

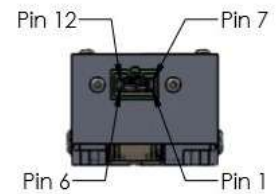
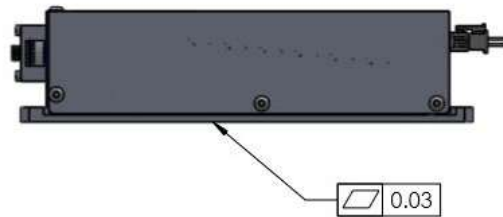
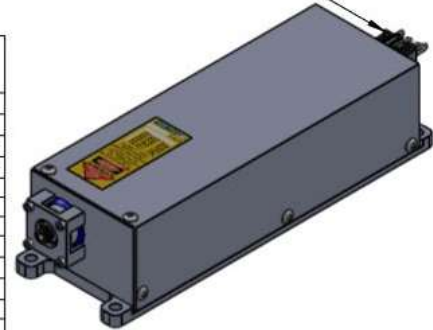
### Outline Drawing and Electrical Connections



shown with shorting clip installed

header: Samtec IPL1-106-01-L-D-K  
 receptacle: IPD1-06-D-K  
 Pins: CC79L-2024-01-L

Pin	Function	String
1	laser -ve	right, far
2	Laser +ve	right, near
3	Laser -ve	right, near
4	Laser +ve	left, near
5	Laser -ve	left, near
6	Laser +ve	left, far
7	Laser +ve	right, far
8	thermistor	right
9	thermistor	right
10	thermistor	left
11	thermistor	left
12	Laser -ve	left, far



Necsel follows a policy of continuous product improvement and may change product descriptions and specifications at any time without notice. Necsel offers a limited product warranty to ensure customer satisfaction. Standard terms and conditions can be found on the web at <http://necsel.com/terms-conditions>. This product is solely intended to be integrated into a laser product certified by the Customer. The Customer acknowledges that their product(s) that incorporate Necsel laser products must comply with the applicable regulations before it can be sold.

