

TEST DATA SHEET

Description: Polarization Beam Combiner

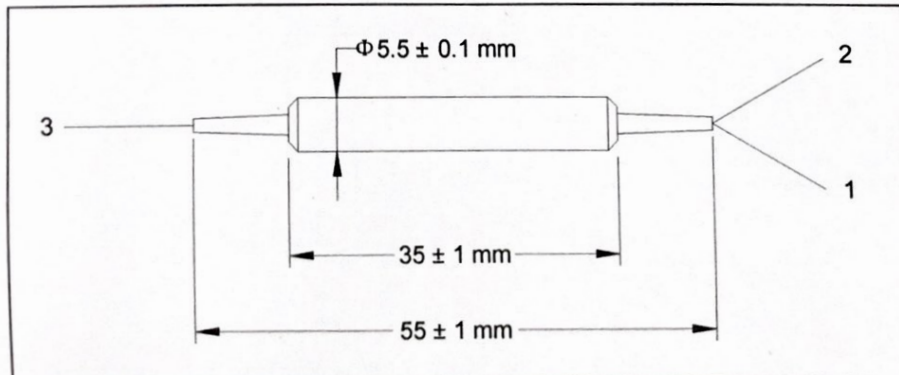
Part Number: PBC-915-P-1-B-1-Q (SR12272)

S/N:



| Parameter | Unit | Specification | Test Data |
|--|--------------|---|-----------|
| Center Wavelength (λ_c) | nm | 915 | 915 |
| Operating Wavelength Range | nm | ± 10 | ± 10 |
| Max. Insertion Loss (Port 1 \rightarrow 3) With Connector | dB | 2.3 | 1.32 |
| Max. Insertion Loss (Port 2 \rightarrow 3) With Connector | dB | 2.3 | 1.13 |
| Min. Return Loss With Connector | dB | 45 | 52 |
| Min. Directivity (Port 1 \rightarrow 2) | dB | 50 | 60 |
| Connector Type | - | FC/UPC | |
| Fiber Type | - | HI 780 fiber for Port 3, other ports are PM 850 fiber, Φ 250 μ m | |
| Polarization Axis Alignment | - | Fast axis blocked | |
| Fiber Length | m | 0.75 | |
| Max. Optical Power (CW) | mW | 500 | |
| Max. Tensile Load | N | 5 | |
| Operating Temperature | $^{\circ}$ C | -5 to +70 | |
| Storage Temperature | $^{\circ}$ C | -40 to +85 | |

Package Dimensions:



Remark: Port 1 port fiber is black-marked.

Tested By: Jane

Date: 2017-7-4

Reviewed By: I.K.

Date: 2017-7-4

Form No.: M06-185-02A

Kokyo

株式会社光響
 Email : info@symphotony.com
 Web : https://www.symphotony.com/