

APD-10



Avalanche Photodiode, 10 Gb/s with TIA

The Optilab APD-10 is a high sensitivity APD-TIA receiver in a fiber pigtail coupled package. It includes a high speed InGaAs avalanche photodiode with a high gain TIA in a hermetically sealed coaxial package. It incorporates an LC/UPC pigtail and a flexible printed circuit (FPC). The signal GND and a receptacle are electrically isolated in this APD receiver.

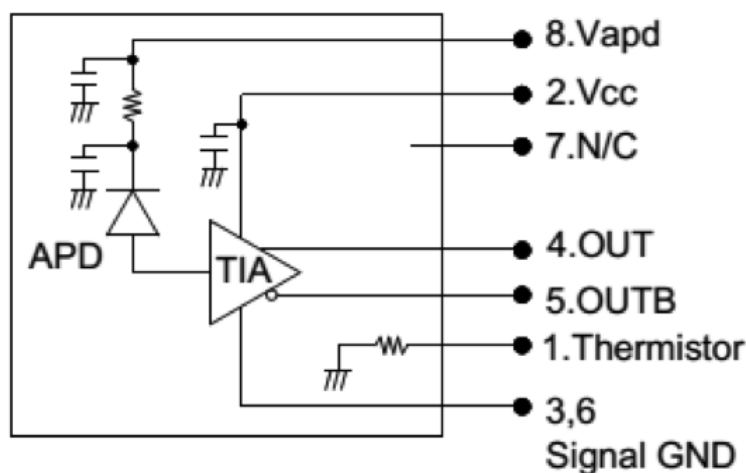
Features

- > 10 Gb/s Gain Bandwidth
- TIA Amplifier
- High sensitivity: -26 dBm Typ.
- Low power consumption: 0.1W Typ.

Applications

- 10GBASE-L Ethernet
- SONET OC-192
- SDH STM-64
- 10G Fibre Channel
- Fiber Optic Sensors

Functional Diagram



Avalanche Photodiode, 10 Gb/s with TIA

OPTIONS

APD-10-LC

TECHNICAL INFO

For technical info and support:

sales@optilab.com

www.optilab.com

Optilab, LLC
Phoenix, AZ, USA

WEB ORDER

To order this any many more products, please visit OEQuest.com and order online today.



Optilab Advantage

- Innovation
- Performance
- Quality
- Customization
- Warranty

General Specifications	
Operating Wavelength Range	1250 nm to 1600 nm
APD Breakdown Voltage	25 V min. ; 34 V typ. ; 40 V max.
V_{BR} Temperature Coefficient	0.07 V/°C typ. ; 0.11 V/°C max.
Total Dark Current	20 nA typ. ; 100 nA max.
Responsivity	0.65 A/W min. ; 0.75 A/W typ.
Sensitivity	-27.5 dBm min. ; -26.5 dBm max.
Transimpedance	10 kΩ min. ; 12 kΩ typ.
Capacitance	0.18 pF typ. ; 0.22 pF max.
Optical Return Loss	-27 dB
3dB S21 Bandwidth	6.0 GHz min. ; 8.0 GHz typ.
Digital Bandwidth	10 Gb/s
Mechanical Specifications	
Optical Input Power	-26 dBm min. ; -3 dBm max.
Reverse Current	2 mA
Forward Current	32 mA typ.
Operating Temperature	0 °C to + 85 °C
Storage Temperature	- 40 °C to + 85 °C
Optical Connectors	LC/UPC
Optical Fiber	SMF-28

APD Pinout Diagram

