

Datasheet: Necsel™ Green DE Laser

These specifications are for the Necsel green direct emitting package. The centroid of the wavelength spectrum will be within the indicated wavelength range.



Model #	Symbol	Min. (nm)	Typical (nm)	Max. (nm)
Green-5.0-DE-52x	λ	520	525	530

Operating Wavelengths

Laser Parameter	Symbol	Min.	Typical	Max.	Unit
Operating Power (CW)	P_{op}	5	-	-	W
Module Operating Temperature [non-condensing atmosphere]	$T_{Thermistor}$	-	30	40	°C
Center Wavelength [at 25°C and P_{op}]	λ	520	525	530	nm
Wavelength Temperature Coefficient	-	-	-	0.1	nm/°C
Threshold Current	I_{th}	-	300	-	mA
Laser Power Conversion Efficiency	PCE	-	9	-	%

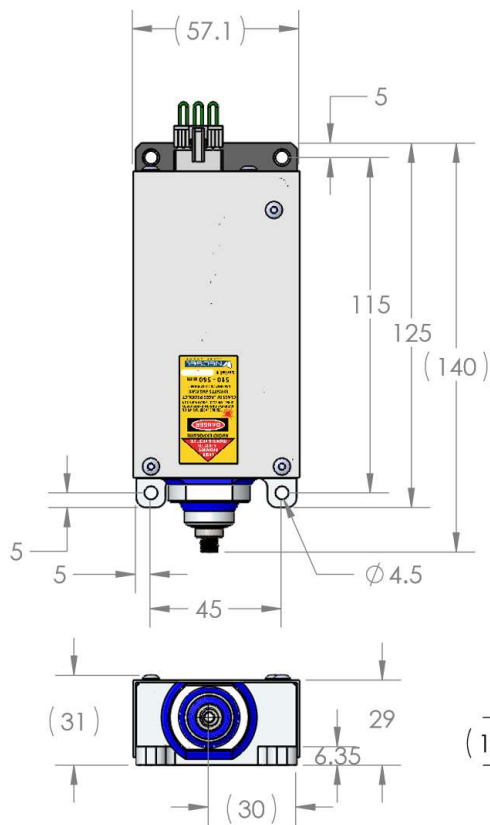
Power Supply Requirements

Operating Voltage (8 in series)	V_{op}	32	36	48	V
Operating Voltage Per String (2 in series)	V_{op}	8	9	12	V
Operating Current	I_{op}	-	1.5	1.8	A
Allowable Reverse Current	I_r	-	-	85	mA

Fiber Specifications

Fiber Core Diameter (Centration $\leq 10 \mu\text{m}$)	0.400	mm
Connector Type (Nose length 0.3850 - 0.3863 in., 9.779 – 9.812 mm)	SMA-905	
Numerical Aperture	0.22	

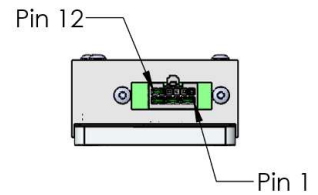
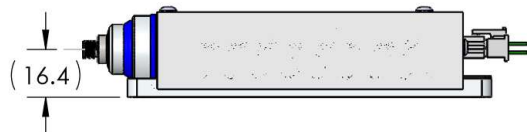
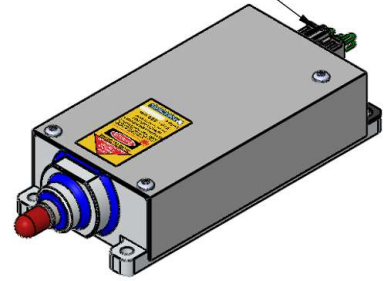
Outline Drawing and Electrical Connections



Electrical connector: Samtec IPL1-106-01-L-D-K,
Mating receptacle Samtec IPD1-06-D-K

Pin	Laser Position	Function
1	1 & 3	-ve
2	1 & 3	+ve
3	2 & 4	-ve
4	2 & 4	+ve
5	6 & 8	-ve
6	6 & 8	+ve
7		thermistor 1
8		thermistor 1
9		thermistor 2
10		thermistor 2
11	5 & 7	-ve
12	5 & 7	+ve

shown with shorting clip installed



Necsel follows a policy of continuous product improvement and may change product descriptions and specifications at any time without notice. Necsel offers a limited product warranty to ensure customer satisfaction. Standard terms and conditions can be found on the web at <http://necsel.com/terms-conditions>. This product is solely intended to be integrated into a laser product certified by the Customer. The Customer acknowledges that their product(s) that incorporate Necsel laser products must comply with the applicable regulations before it can be sold.

