

InGaAs PIN PHOTODETECTOR

Model : **DPDWM40-OM-FC/APC**

Option : **Single Mode pigtail with FC/APC connector**

Serial number :

SPECIFICATIONS

(25°C, +10/12V bias)

Ser.N	Responsivity, A/W		Dark curr., nA	Bandwidth (-3 dB, 50Ω) GHz	
	1300 nm min	1550 nm min		Min	max
1-3	0.70	0.80	2.0	0.1	12.0

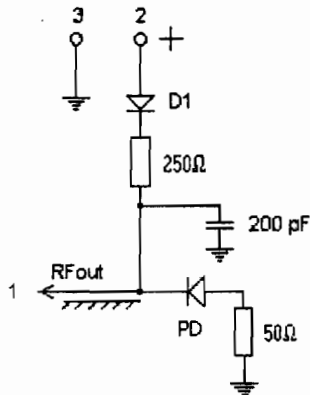
ABSOLUTE MAXIMUM RATINGS

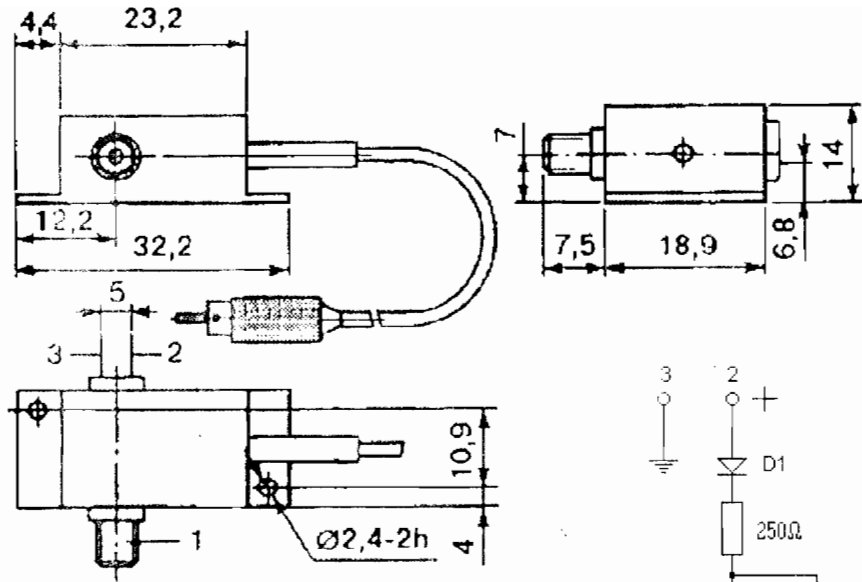
Reverse bias voltage	10 V
Reverse photocurrent	3 mA
Forward current	5 mA
Operating temperature	-20...+55°C
Storage temperature	-20...+60°C

OPERATING AND HANDLING INSTRUCTIONS

1. Do not apply excessive stress between the package and the leads, because it deteriorates hermeticity. The leads bending is permissible being near to the device case no less than 3 mm.
2. Soldering temperature: 260°C MAX. Soldering time: 5 sec MAX. Soldering portion of leads: up 2 mm from the case of device. Soldering irons and operators body should be grounded.
3. Be careful never to exceed the maximum ratings. It's possible to damage photodiode by spike voltage which is generated when switching the power ON or OFF.
4. Prevent electrostatic discharge and electric spike which may damage the photodiode. The anode and cathode shall always be shorted when the photodiode is disconnected.

Electrical schematic :





Pin	Connection
1	Signal Out
2	Detector bias (+)
3	Ground

